

infinity

universal emergency lighting fitting

Materials:

- silver polycarbonate body, other colours in option

Mounting:

- ceiling, rope sling

Specification:

- 230V 50Hz power supply
- Charge time - 24 hours
- Network power supply and battery charge LED indicator
- High-temperature nickel-cadmium batteries
- LED 1,2W diodes
- Insulation class II
- Protection level IP 40
- Ambient temperature: 0°C to +40°C
- Electronic protection against complete battery discharge
- Emergency operation time 1, 2 or 3 hours
- Connecting clips 3 x 2,5 mm²
- Compatibility with standard specifications PN-EN 60598, PN-EN 1838
- Optional PT or RS



STANDARD

Configuration of fitting

type	time[h]	work	option
IFA	1 2 3	SE SA	PT RS

AUTOTEST

Configuration of fitting

type	time[h]	work	autotest
IFA	1 2 3	SE SA	AT

CENTRAL BATTERY

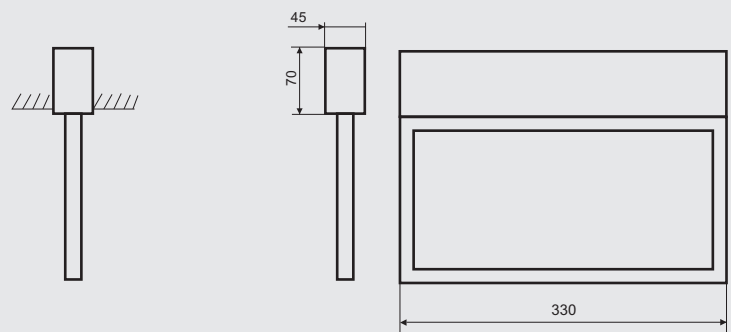
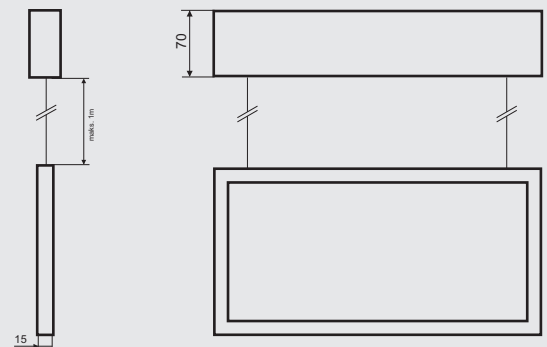
Configuration of fitting

type	centr. bat.
IFA	CB

LIGHT SOURCE

Configuration of fitting

power [W]	cup
LED 1,2	



Legend:

- SE - non maintained (dark)
- SA - maintained (light)
- RS - rubic monitoring system
- AT - autotest
- CB - for central battery EVG AC/DC
- IFA - fitting infinity in ceiling version