

# infinity

## universal emergency lighting fitting

### Materials:

- silver polycarbonate body, other colours in option

### Mounting:

- wall, dry wall or under plastering

### Specification:

- 230V 50Hz power supply
- Charge time - 24 hours
- Network power supply and battery charge LED indicator
- High-temperature nickel-cadmium batteries
- LED 1,2W diodes
- Insulation class II
- Protection level IP 40
- Ambient temperature: 0°C to +40°C
- Electronic protection against complete battery discharge
- Emergency operation time 1, 2 or 3 hours
- Connecting clips 3 x 2,5 mm<sup>2</sup>
- Compatibility with standard specifications PN-EN 60598, PN-EN 1838
- Optional PT or RS



### STANDARD

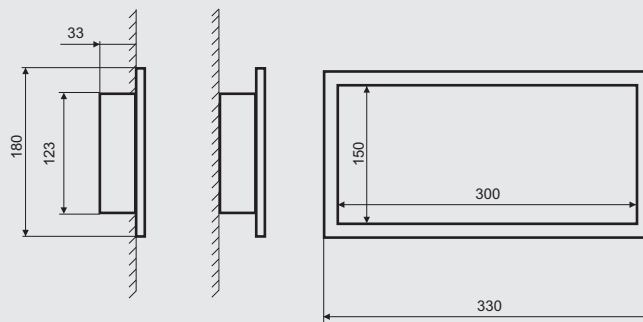
#### Configuration of fitting

type	time[h]			work		option	
IFB	1	2	3	SE	SA	PT	RS

### AUTOTEST

#### Configuration of fitting

type	time[h]			work		autotest
IFB	1	2	3	SE	SA	AT



### CENTRAL BATTERY

#### Configuration of fitting

type	centr. bat.
IFB	CB

### LIGHT SOURCE

#### Configuration of fitting

power [W]	cup
LED 1,2	

### Legend:

- SE - non maintained (dark)
- SA - maintained (light)
- RS - rubic monitoring system
- AT - autotest
- CB - for central battery EVG AC/DC
- IFA - fitting infinity in ceiling version
- IFB - fitting infinity in wall version